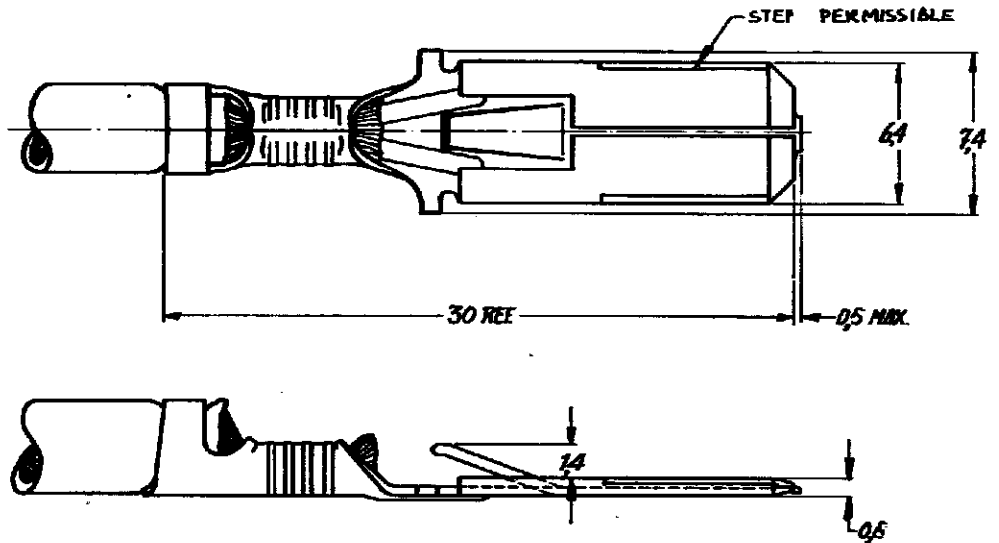


DRAWING MADE IN AMERICAN PROJECTION


NUMBER C-160450-E



- ① FOR USE ON STANDARD APPLICATORS (RIGHT-LEFT FEED)
- ② FOR USE ON MINIATURE APPLICATORS (LEFT-RIGHT FEED ; AMP-a-MATOR APPLICATORS)

DIMENSIONS IN IN. DO NOT SCALE PRINT

160450-6	PHOSPHOR BR	TIN-LEAD	1/2
160450-5	BRASS	SILVER	1
160450-4	BRASS	NONE	1
160450-3	PHOSPHOR BR.	SILVER	1
160450-2	PHOSPHOR BR.	TIN	1/2
160450-1	PHOSPHOR BR.	-	1

CUSTOMER COPY FOR REFERENCE ONLY			
©1968 BY AMP-HOLLAND N.V. ALL RIGHTS RESERVED A-MP PRODUCTS COVERED BY PATENTS AND/OR PATENTS PENDING.			 AMP-HOLLAND N.V. 's-HERTOGENBOSCH HOLLAND
WIRE RANGE	INSUL. RANGE	FIRST USED	
08-25 mm ²	3-4 mm		
SCALE	LOC	SIZE	NO
4:1	H	A	C-160450-E
DR. <i>[Signature]</i>	DATE 12-1-68	CHK. <i>[Signature]</i>	DATE 12-1-68
CHK. <i>[Signature]</i>	DATE	APP. <i>[Signature]</i>	DATE 12-1-68
NAME 250 SERIES FASTIN-FASTON TAB			

①